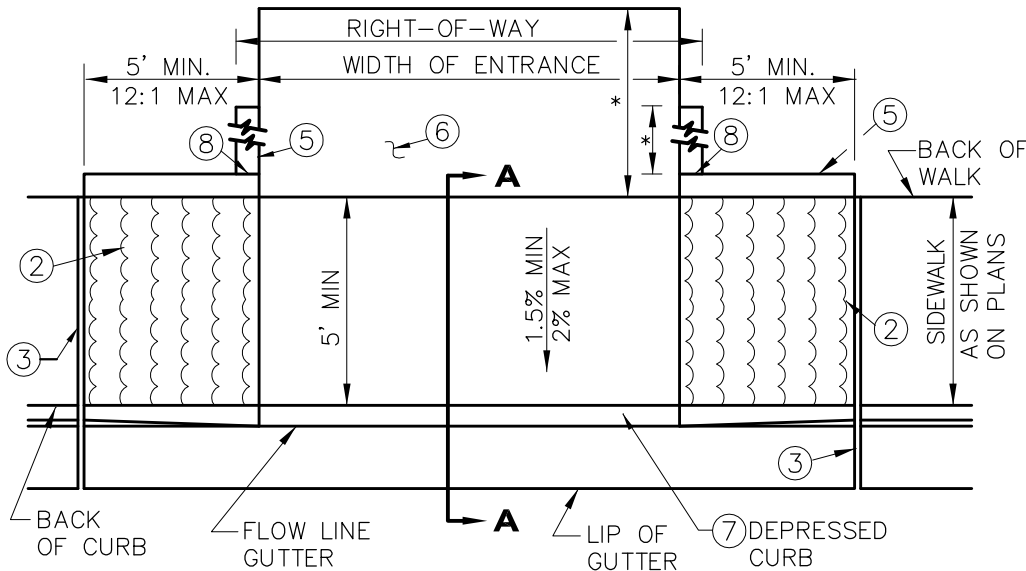


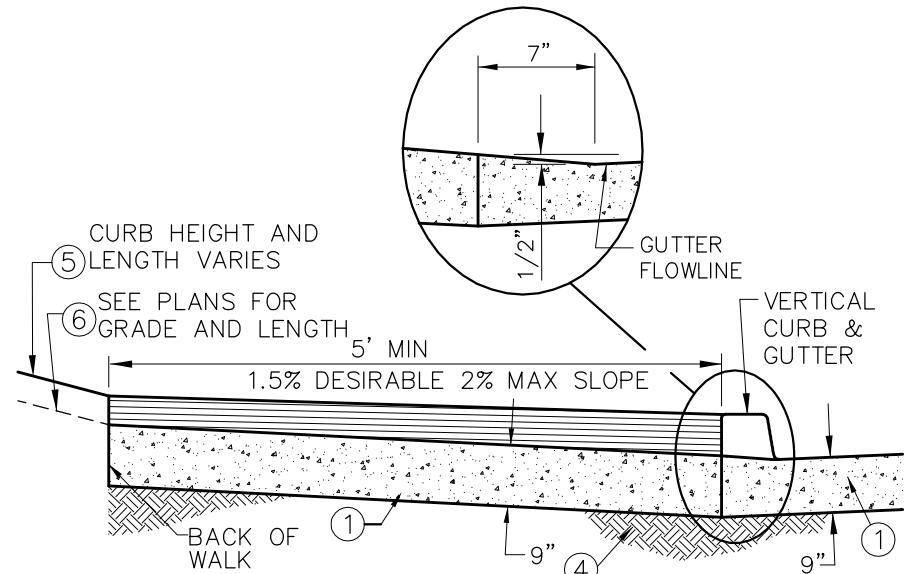
**TYPE A - WITHOUT RETAINING CURB**

\* SEE PLANS FOR ALLEY SURFACING REQUIREMENTS



**TYPE B - WITH RETAINING CURB**

\* SEE PLANS FOR RETAINING CURB LENGTHS, TOP OF CURB ELEVATIONS, AND ALLEY SURFACING REQUIREMENTS



**SECTION A-A**



**ELEVATION**

**NOTES:**

- ①. CLASS "A" CONCRETE PER SECTION 725.
- ②. LIMITS OF HEAVY ROUGH BROOM FINISH.
- ③. EXPANSION JOINTS PER SECTION 340.
- ④. SUBGRADE PREPARATION PER SECTION 301.
- ⑤. SINGLE CURB PER DETAIL 222, TYPE "B".
- ⑥. ALLEY SURFACING PER PLANS.
- ⑦. DEPRESSED CURB SHALL BE PAID FOR AT THE CONTRACT UNIT PRICE FOR THE TYPE OF CURB USED AT THAT LOCATION.
- ⑧. CONTROL JOINT.